

STAINLESS STEEL WORKTABLES

FF3-SERIES— FULLY ENCLOSED WORKTABLE W/ REAR TURN-UP & UNDERSHELF

PROJECT#: _____

ITEM# _____

MODEL# _____

SPECIFICATIONS:

ECONOMY— EFF3-Series: 400 Series Stainless Top, 400 Series Stainless Body & 400 Series Stainless Undershef

TOP: 16 GA.
400 Series Stainless

SHELF: 18 GA.
400 Series Stainless

BODY & DOORS: 20 GA.
400 Series Stainless

LEGS: 1 1/2" Square
Tubular Stainless Steel

STANDARD— SFF3-Series: 300 Series Stainless Top, 300 Series Stainless Body & 300 Series Stainless Undershef

TOP: 16 GA.
300 Series Stainless

SHELF: 18 GA.
300 Series Stainless

BODY & DOORS: 20 GA.
300 Series Stainless

LEGS: 1 1/2" Square
Tubular Stainless Steel

HEAVY DUTY— HFF3-Series: 300 Series Stainless Top, 300 Series Stainless Body & 300 Series Stainless Undershef

TOP: 14 GA.
300 Series Stainless

SHELF: 16 GA.
300 Series Stainless

BODY & DOORS: 18 GA.
300 Series Stainless

LEGS: 1 1/2" Square
Tubular Stainless Steel

CONSTRUCTION:

- ◆ All Table Connection Points Fully Welded for Maximum Rigidity and Long Life
- ◆ S/S Adjustable Bullet Feet
- ◆ Sound Deadening Between Top and Reinforcing Channel
- ◆ Stainless Steel Sliding Doors Mounted to Glides with Rollers for Easy Opening and Closing
- ◆ Offsets on Body Ends for Flush Fit
- ◆ S/S Undershef Welded to Legs
- ◆ Table is Polished to #3 Finish
- ◆ Working Height 35" to 36 1/4"

○ Amtekco Industries - Columbus, OH —Phone: (800) 336-4677

○ N. Wasserstrom & Sons - Columbus, OH —Phone: (800) 444-4697

○ DCS IV - Peoria, AZ—Phone: (800) 592-3274

○ GEN III - Fountain Inn, SC—Phone: (800)673-3339

○ GKS - Garland, TX—Phone (972) 485-4579

SPECIFICATIONS SUBJECT TO CHANGE WITHOUT NOTICE 01/09

ECONOMY - EFF3 - SERIES						
24" WIDE	QTY	30" WIDE	QTY	36" WIDE	QTY	LENGTH (INCHES)
EFF3-2424		EFF3-3024		EFF3-3624		24
EFF3-2430		EFF3-3030		EFF3-3630		30
EFF3-2436		EFF3-3036		EFF3-3636		36
EFF3-2442		EFF3-3042		EFF3-3642		42
EFF3-2448		EFF3-3048		EFF3-3648		48
EFF3-2454		EFF3-3054		EFF3-3654		54
EFF3-2460		EFF3-3060		EFF3-3660		60
EFF3-2466		EFF3-3066		EFF3-3666		66
EFF3-2472		EFF3-3072		EFF3-3672		72
EFF3-2478		EFF3-3078		EFF3-3678		78
EFF3-2484		EFF3-3084		EFF3-3684		84
EFF3-2490		EFF3-3090		EFF3-3690		90
EFF3-2496		EFF3-3096		EFF3-3696		96
EFF3-24102		EFF3-30102		EFF3-36102		102
EFF3-24108		EFF3-30108		EFF3-36108		108
EFF3-24114		EFF3-30114		EFF3-36114		114
EFF3-24120		EFF3-30120		EFF3-36120		120

STANDARD - SFF3 - SERIES						
24" WIDE	QTY	30" WIDE	QTY	36" WIDE	QTY	LENGTH (INCHES)
SFF3-2424		SFF3-3024		SFF3-3624		24
SFF3-2430		SFF3-3030		SFF3-3630		30
SFF3-2436		SFF3-3036		SFF3-3636		36
SFF3-2442		SFF3-3042		SFF3-3642		42
SFF3-2448		SFF3-3048		SFF3-3648		48
SFF3-2454		SFF3-3054		SFF3-3654		54
SFF3-2460		SFF3-3060		SFF3-3660		60
SFF3-2466		SFF3-3066		SFF3-3666		66
SFF3-2472		SFF3-3072		SFF3-3672		72
SFF3-2478		SFF3-3078		SFF3-3678		78
SFF3-2484		SFF3-3084		SFF3-3684		84
SFF3-2490		SFF3-3090		SFF3-3690		90
SFF3-2496		SFF3-3096		SFF3-3696		96
SFF3-24102		SFF3-30102		SFF3-36102		102
SFF3-24108		SFF3-30108		SFF3-36108		108
SFF3-24114		SFF3-30114		SFF3-36114		114
SFF3-24120		SFF3-30120		SFF3-36120		120

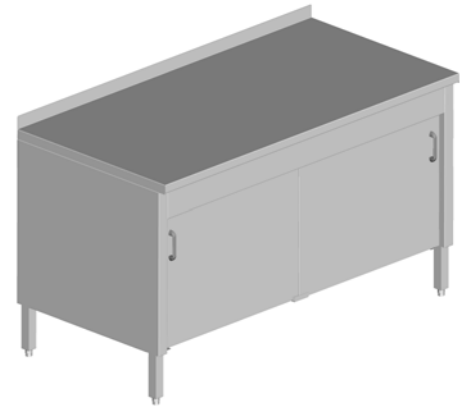
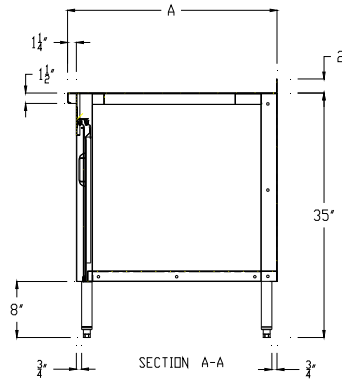
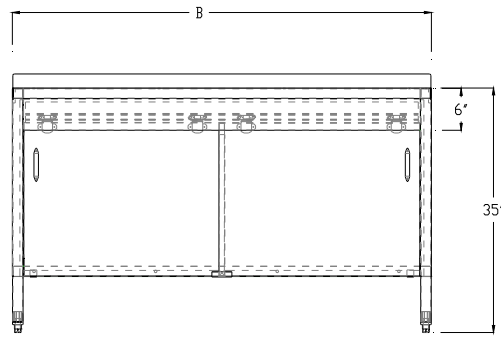
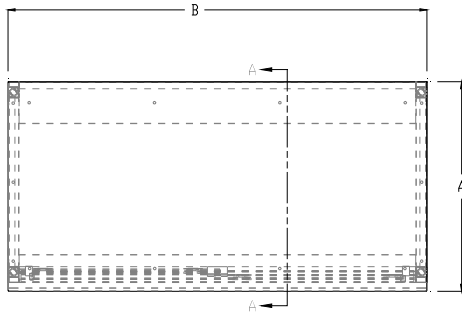
HEAVY DUTY - HFF3 - SERIES						
24" WIDE	QTY	30" WIDE	QTY	36" WIDE	QTY	LENGTH (INCHES)
HFF3-2424		HFF3-3024		HFF3-3624		24
HFF3-2430		HFF3-3030		HFF3-3630		30
HFF3-2436		HFF3-3036		HFF3-3636		36
HFF3-2442		HFF3-3042		HFF3-3642		42
HFF3-2448		HFF3-3048		HFF3-3648		48
HFF3-2454		HFF3-3054		HFF3-3654		54
HFF3-2460		HFF3-3060		HFF3-3660		60
HFF3-2466		HFF3-3066		HFF3-3666		66
HFF3-2472		HFF3-3072		HFF3-3672		72
HFF3-2478		HFF3-3078		HFF3-3678		78
HFF3-2484		HFF3-3084		HFF3-3684		84
HFF3-2490		HFF3-3090		HFF3-3690		90
HFF3-2496		HFF3-3096		HFF3-3696		96
HFF3-24102		HFF3-30102		HFF3-36102		102
HFF3-24108		HFF3-30108		HFF3-36108		108
HFF3-24114		HFF3-30114		HFF3-36114		114
HFF3-24120		HFF3-30120		HFF3-36120		120

STAINLESS STEEL WORKTABLES FF3-SERIES— FULLY ENCLOSED WORKTABLE W/ REAR TURN-UP & UNDERSHELF

PROJECT#: _____

ITEM# _____

MODEL# _____



- ◆ 35" Working Height is with Adj. Bullet Feet in Shortest Position
- ◆ Tables At or Above 78" Will Require (3) Sets of Legs.

A WIDTH	B LENGTH	EFF3 - SERIES 16 GA. 400 SERIES S/S TOP & 18 GA. 400 SERIES S/S UNDERSHELF	SFF3 - SERIES 16 GA. 300 SERIES S/S TOP & 18 GA. 300 SERIES S/S UNDERSHELF	HFF3 - SERIES 14 GA. 300 SERIES S/S TOP & 16 GA. 300 SERIES S/S UNDERSHELF	#Of Legs	Product Weight (lbs)
24" WIDE						
24	24	EFF3-2424	SFF3-2424	HFF3-2424	4	96
24	30	EFF3-2430	SFF3-2430	HFF3-2430	4	118
24	36	EFF3-2436	SFF3-2436	HFF3-2436	4	139
24	48	EFF3-2448	SFF3-2448	HFF3-2448	4	166
24	60	EFF3-2460	SFF3-2460	HFF3-2460	4	194
24	72	EFF3-2472	SFF3-2472	HFF3-2472	4	222
24	84	EFF3-2484	SFF3-2484	HFF3-2484	6	249
24	96	EFF3-2496	SFF3-2496	HFF3-2496	6	277
24	108	EFF3-24108	SFF3-24108	HFF3-24108	6	304
24	120	EFF3-24120	SFF3-24120	HFF3-24120	6	332
30" WIDE						
30	24	EFF3-3024	SFF3-3024	HFF3-3024	4	89
30	30	EFF3-3030	SFF3-3030	HFF3-3030	4	113
30	36	EFF3-3036	SFF3-3036	HFF3-3036	4	136
30	48	EFF3-3048	SFF3-3048	HFF3-3048	4	165
30	60	EFF3-3060	SFF3-3060	HFF3-3060	4	195
30	72	EFF3-3072	SFF3-3072	HFF3-3072	4	225
30	84	EFF3-3084	SFF3-3084	HFF3-3084	6	254
30	96	EFF3-3096	SFF3-3096	HFF3-3096	6	284
30	108	EFF3-30108	SFF3-30108	HFF3-30108	6	313
30	120	EFF3-30120	SFF3-30120	HFF3-30120	6	343
36" WIDE						
36	24	EFF3-3624	SFF3-3624	HFF3-3624	4	114
36	30	EFF3-3630	SFF3-3630	HFF3-3630	4	141
36	36	EFF3-3636	SFF3-3636	HFF3-3636	4	167
36	48	EFF3-3648	SFF3-3648	HFF3-3648	4	199
36	60	EFF3-3660	SFF3-3660	HFF3-3660	4	232
36	72	EFF3-3672	SFF3-3672	HFF3-3672	4	265
36	84	EFF3-3684	SFF3-3684	HFF3-3684	6	297
36	96	EFF3-3696	SFF3-3696	HFF3-3696	6	330
36	108	EFF3-36108	SFF3-36108	HFF3-36108	6	362
36	120	EFF3-36120	SFF3-36120	HFF3-36120	6	395